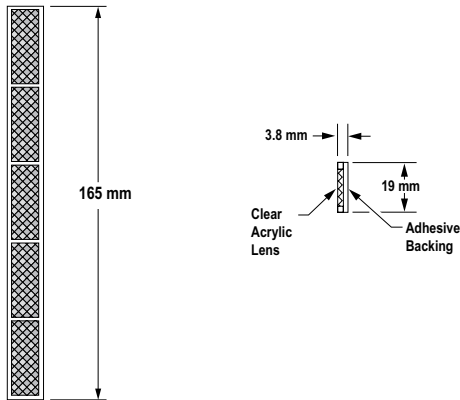


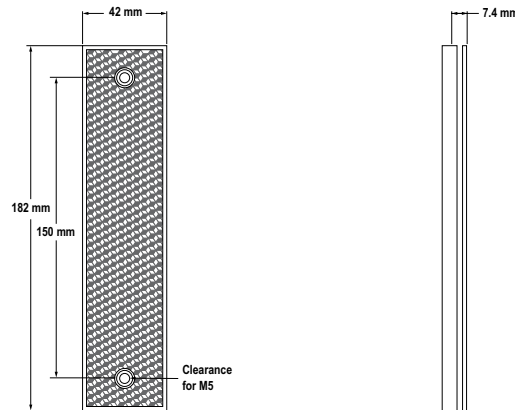
BRT-L

Description: Rectangular, acrylic target
Reflectivity Factor: 0.8
Max. Temperature: 65° C



BRT-180X40A

Description: Rectangular, acrylic target
Reflectivity Factor: 1.4
Temperature: -20° to +60° C



Accessories

Brackets

Cordsets

Retroreflectors

Miscellaneous

Reference